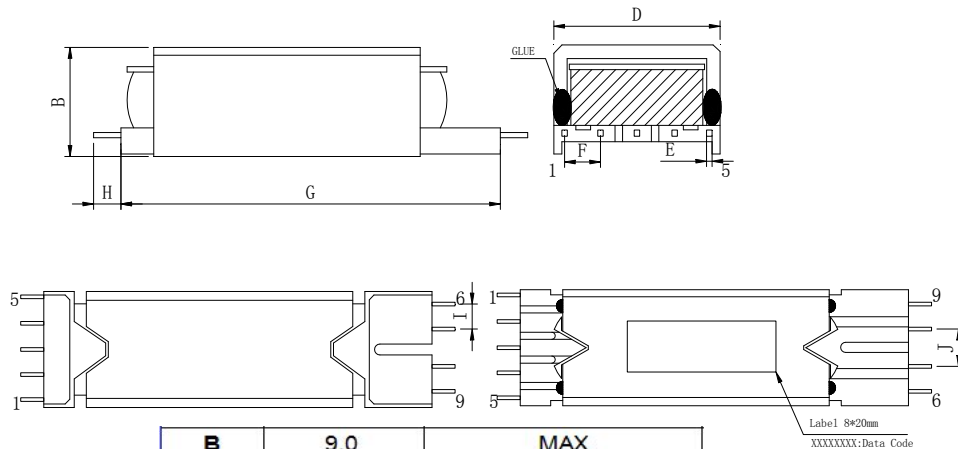


CUSTOMER TERMINAL	ROHS	Lead(Pb)-free
	YES	YES

## 1. Mechanical Dimensions



<b>B</b>	9.0	MAX
<b>D</b>	14.5	MAX
<b>E</b>	0.4*0.6	±0.1
<b>F</b>	2.7	±0.2
<b>G</b>	50.0	±0.4
<b>H</b>	3.0	±0.5
<b>I</b>	3.4	±0.2
<b>J</b>	4.0	±0.2

## 3. Material List

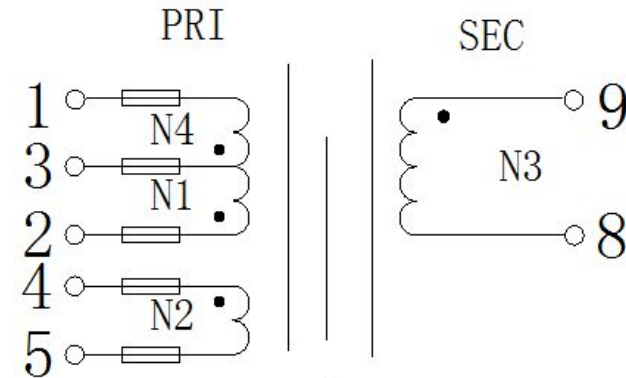
Core:DMR44 EEW13.5A

Bobbin:PD1306(4+5PIN)

Wire:2UEW TIW

Operating Temperature: -30 to115 °C

## 2. Schematic Diagram



## 4. Electrical Specification

Inductance: L(1-2):840uH ±5% 60KHZ , 1V

Leakage Inductance : 25uH MAX 60KHZ , 1V

DCR:(1-2)=2.5Ω Max (9-8)=1.8Ω Max

Hi-Pot:P-S: AC 60Hz 4000V 1.0mA 3S

S-CORE:AC 60Hz 4000V 1.0mA 3S

REV.	DATE	<p>Convention Placement</p>	DRW.		Drawing Title:	Part No:
0	00/00		CHK.			
ROHS			<a href="http://www.ferriwo.com">www.ferriwo.com</a>	APP.		Customer P/N